

Cover Stand II Installation Instructions

1. Lay out all the parts and verify that they are all present according to the Cover Stand II Parts and Hardware List. See Fig 1.

COVER STAND II PARTS AND HARDWARE LIST

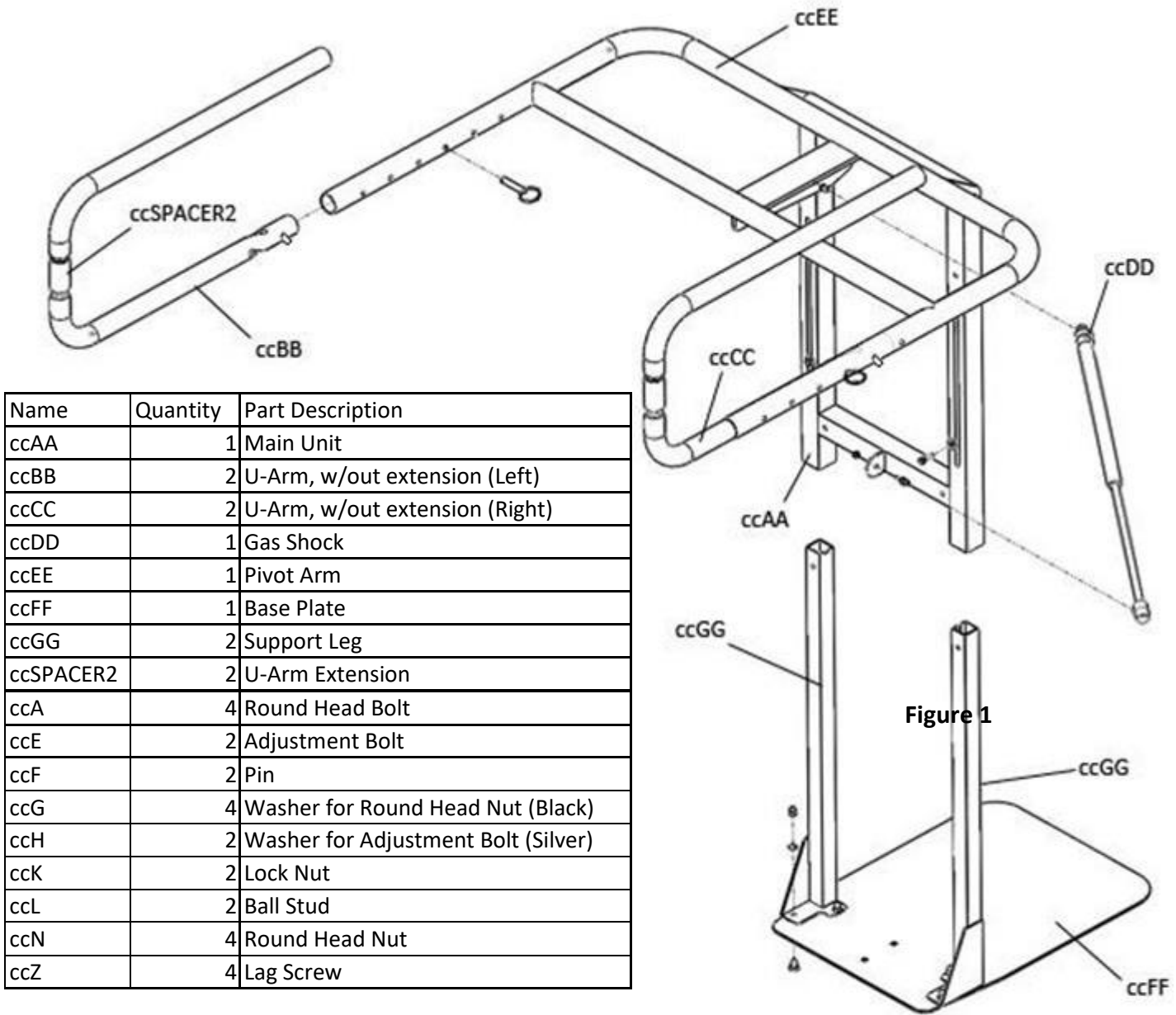
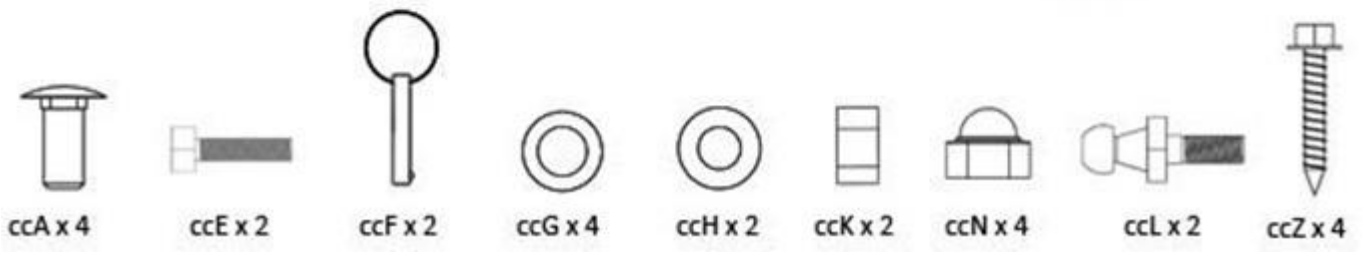


Figure 1

Name	Quantity	Part Description
ccAA	1	Main Unit
ccBB	2	U-Arm, w/out extension (Left)
ccCC	2	U-Arm, w/out extension (Right)
ccDD	1	Gas Shock
ccEE	1	Pivot Arm
ccFF	1	Base Plate
ccGG	2	Support Leg
ccSPACER2	2	U-Arm Extension
ccA	4	Round Head Bolt
ccE	2	Adjustment Bolt
ccF	2	Pin
ccG	4	Washer for Round Head Nut (Black)
ccH	2	Washer for Adjustment Bolt (Silver)
ccK	2	Lock Nut
ccL	2	Ball Stud
ccN	4	Round Head Nut
ccZ	4	Lag Screw



NOTE: IF YOU ARE USING A SIDE MOUNT SETUP, SKIP TO STEP 6

2. Attach the ccGG Support Legs to the ccFF Base Plate using the ccA Round Head Bolts, the ccG Washers, and the ccN Round Head Nuts. See Fig 2.

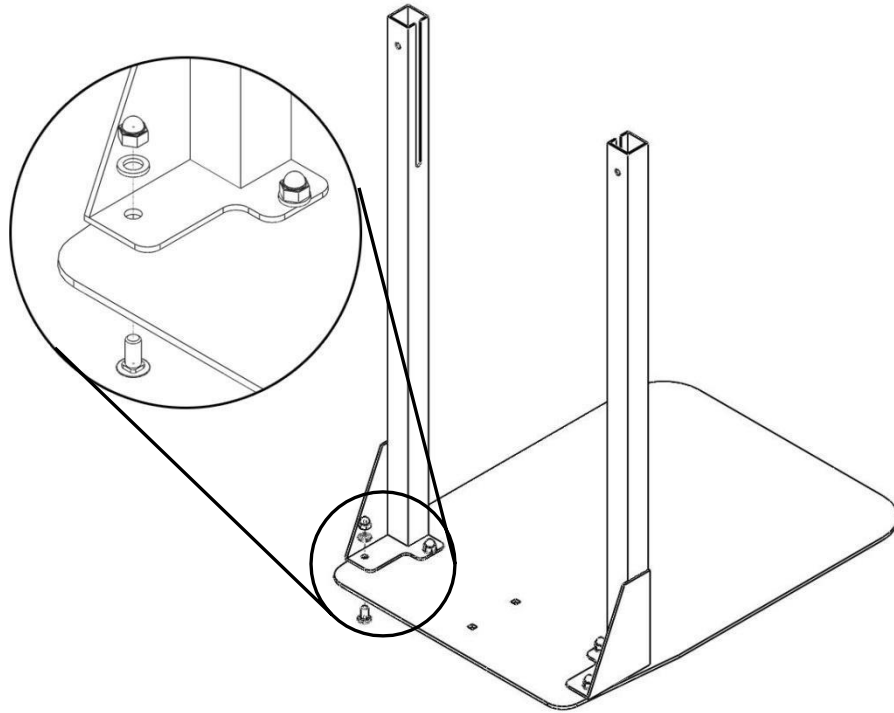


Figure 2

3. Make sure the spa is empty and slide the Base Plate/Support Leg assembly under the center of the back of the spa cabinet. This will be the side the spa cover will be stored behind. Ensure the ccFF Base Plate sits flat on the ground, with no overhang off the slab or deck. See Fig 3.

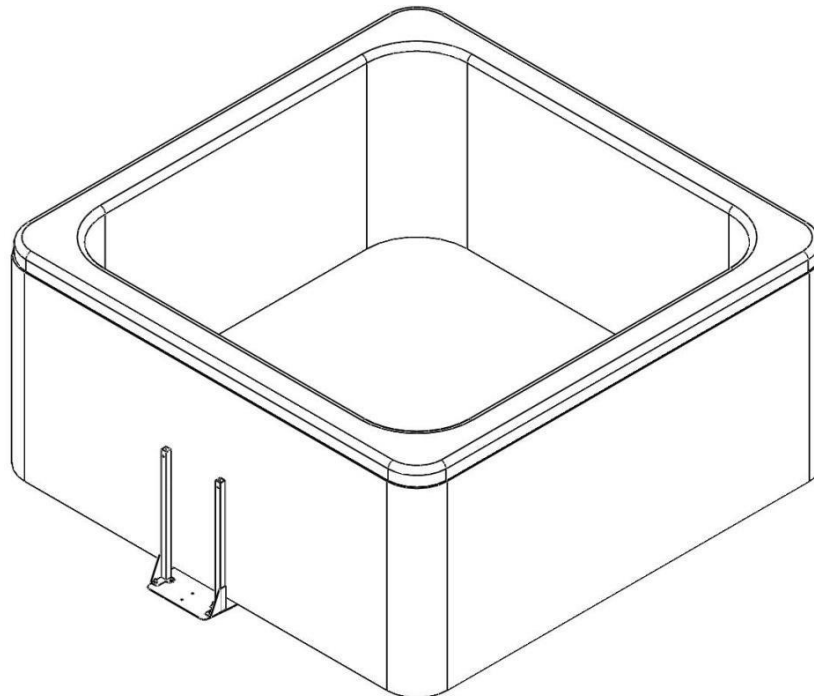


Figure 3

4. Slide the legs of the ccAA Main Unit/ccEE Pivot Arm assembly over the ccGG Support Legs. See Fig 4.

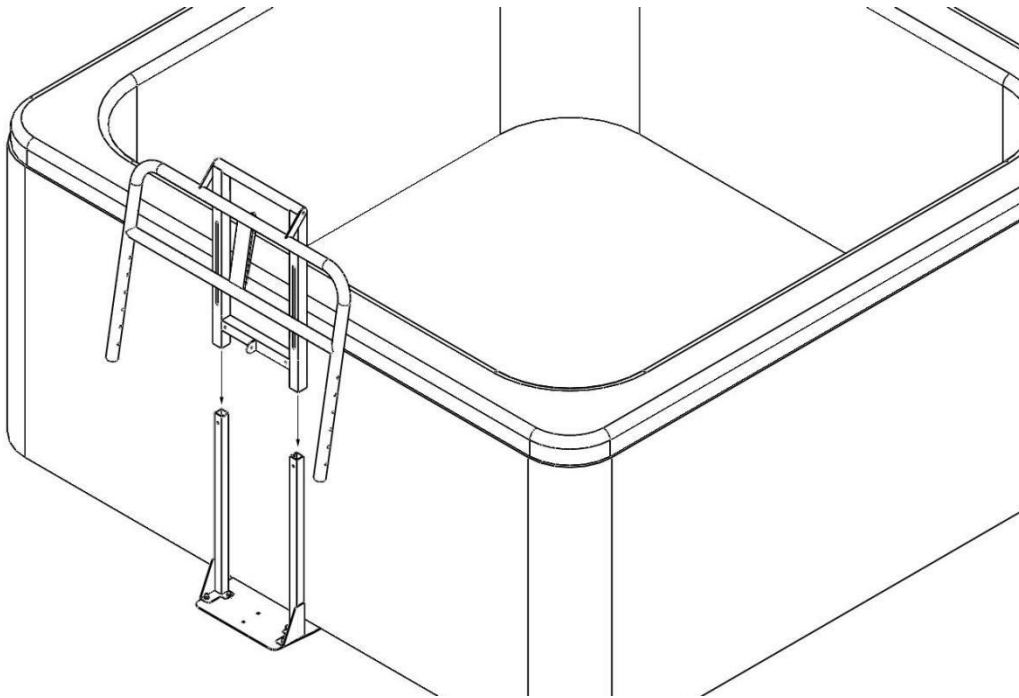


Figure 4

5. Loosely thread the ccE Adjustment Bolt through the ccH Adjustment Bolt Washer and into the threaded holes in the Support Legs. **DO NOT** tighten the adjustment screws yet. See Fig 5.

TO CONTINUE WITH BASE MOUNT SETUP, SKIP TO STEP 8

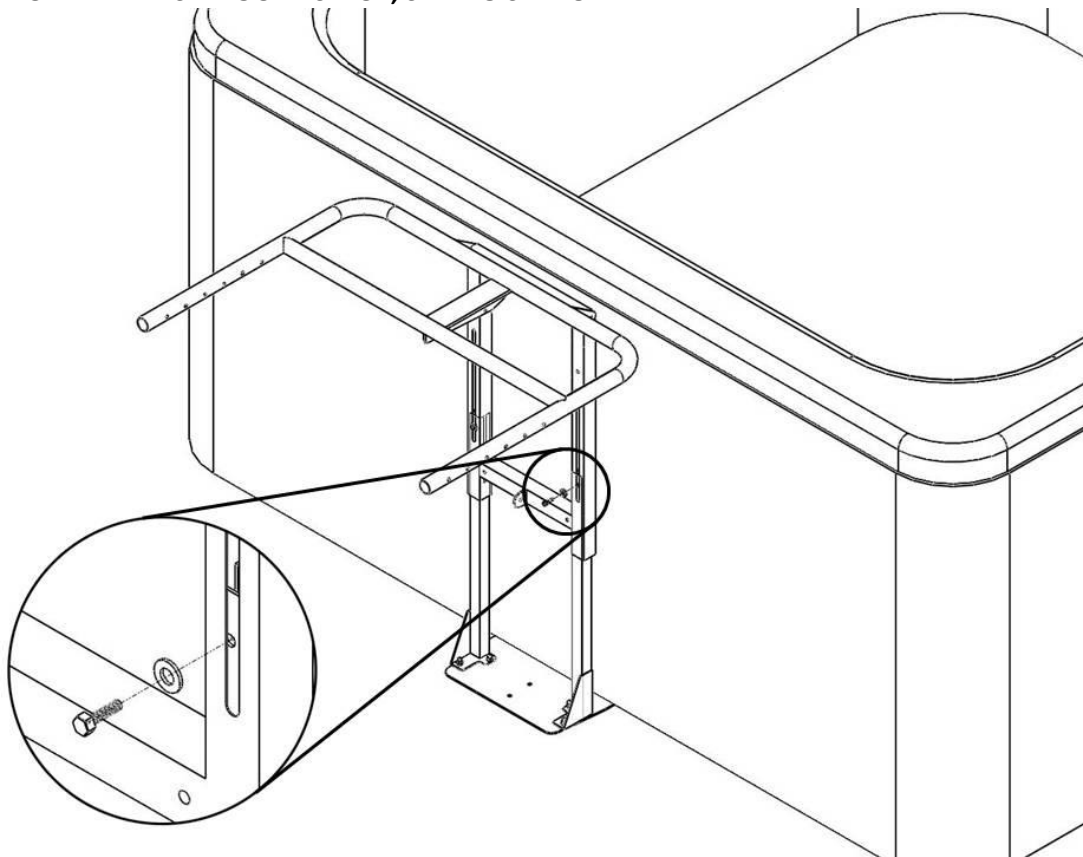


Figure 5

SIDE MOUNT ONLY

6. Align the Main Unit assembly in the center of the spa. Line up the Pivot Arm as shown in Fig 6. Mark the screw holes.

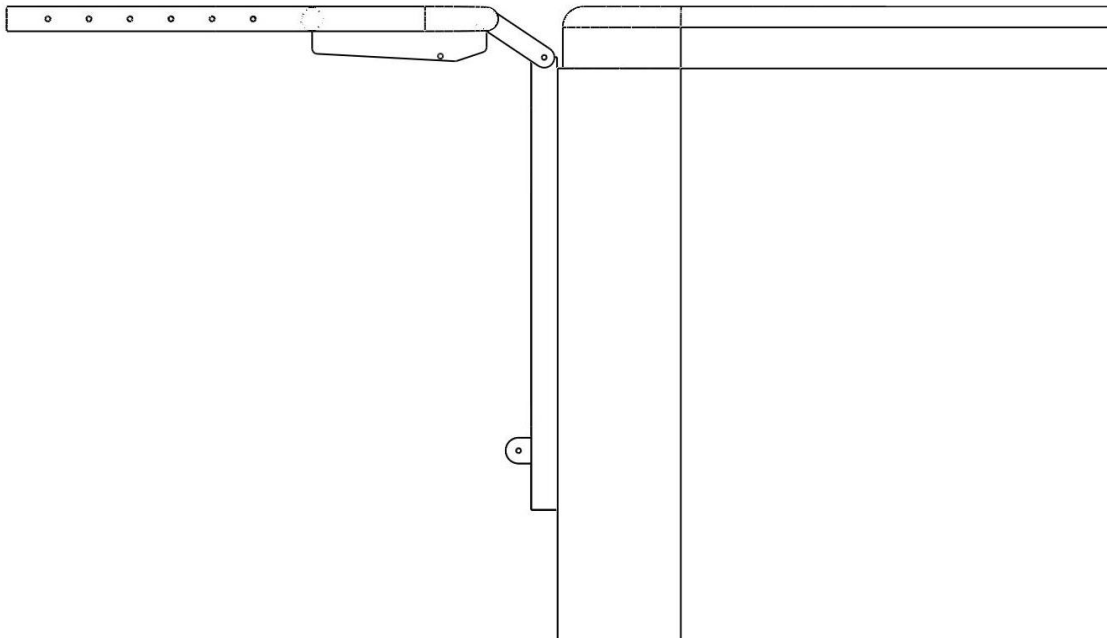


Figure 6

7. Mount the ccAA Main Unit to the side of the spa using the ccZ Lag Bolts. See Fig 7.

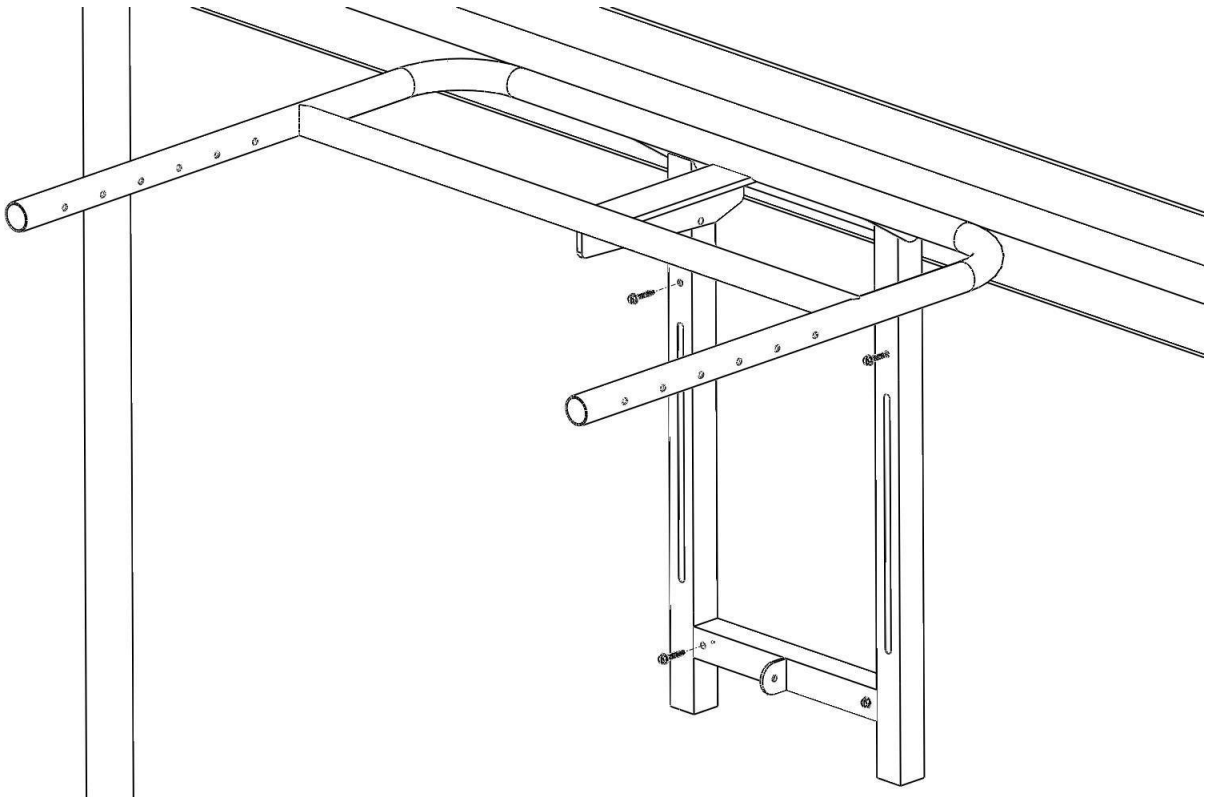


Figure 7

* SP INTERNATIONAL CANNOT BE HELD RESPONSIBLE FOR THE STRUCTURAL INTEGRITY OF YOUR SPA CABINET

SIDE MOUNT ONLY

8. Attach the left and right U-Arm assemblies to the open tubes of the ccEE Pivot Arm using the spring buttons. Use the hole that will allow the U-Arms to swing as low as possible, without hitting the ground. See Fig 8.

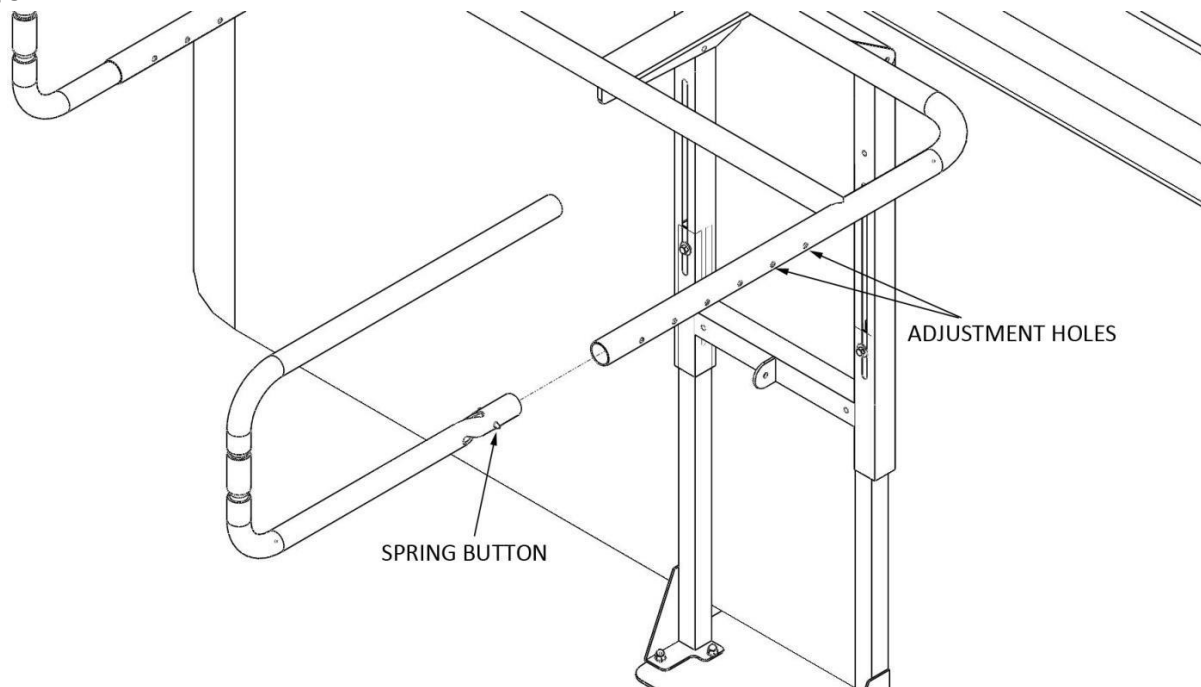


Figure 8

9. Swing the U-Arms up so that they are parallel to the ground. Raise the Main Unit so that the bottom tube of the U-Arms is level with the top of the spa without the cover. See Fig 9.

NOTE: If your folded spa cover is too thick to fit within the U-Arms, use the ccF U-Arm Extension to widen the arms.

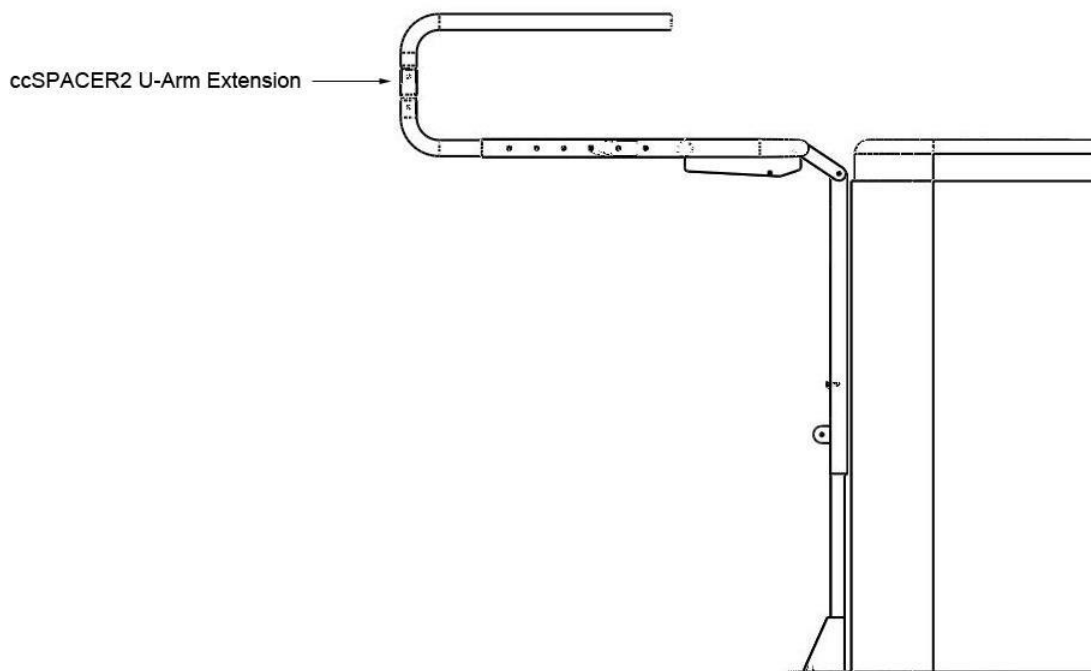


Figure 9

10. Attach the ccL Ball Studs and ccK Lock Nuts to the Tab and Fin. Then snap the ccDD Gas Shock over the round ends of the Ball Studs. See Fig 10.

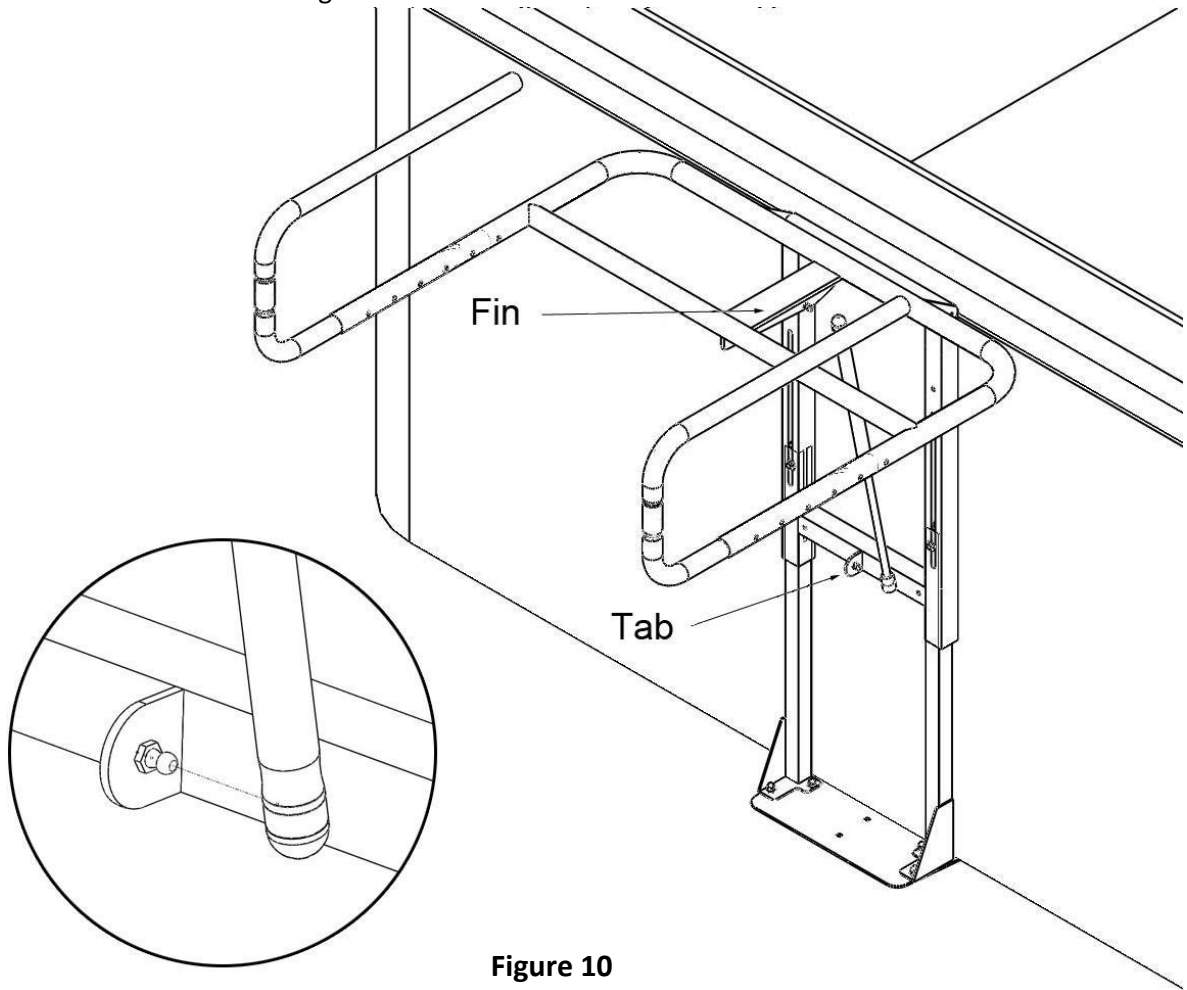


Figure 10

11. Push the ccF Pin through the hole directly underneath the spring button. Make sure the pin passes through the diagonal channel (not shown) on the U-Arm. See Fig 11.

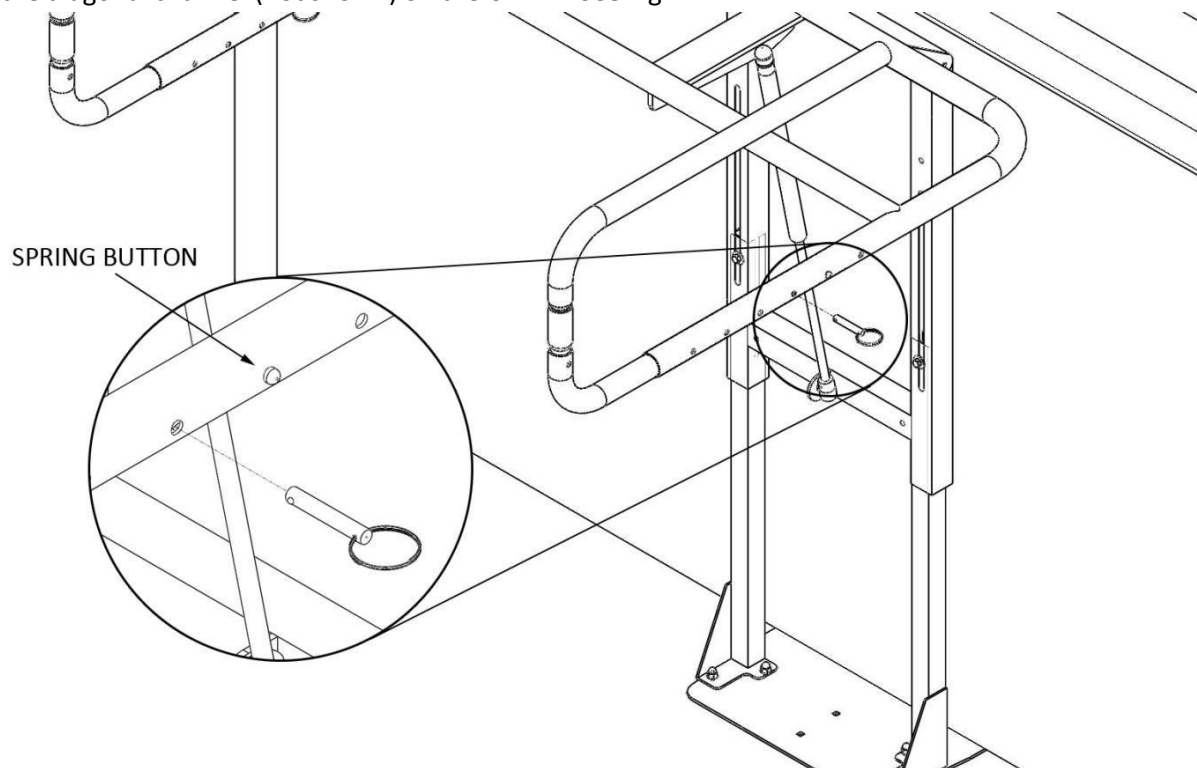


Figure 11

12. To stow the U-Arms, push the spring button and rotate the arms inward. See Fig 12.

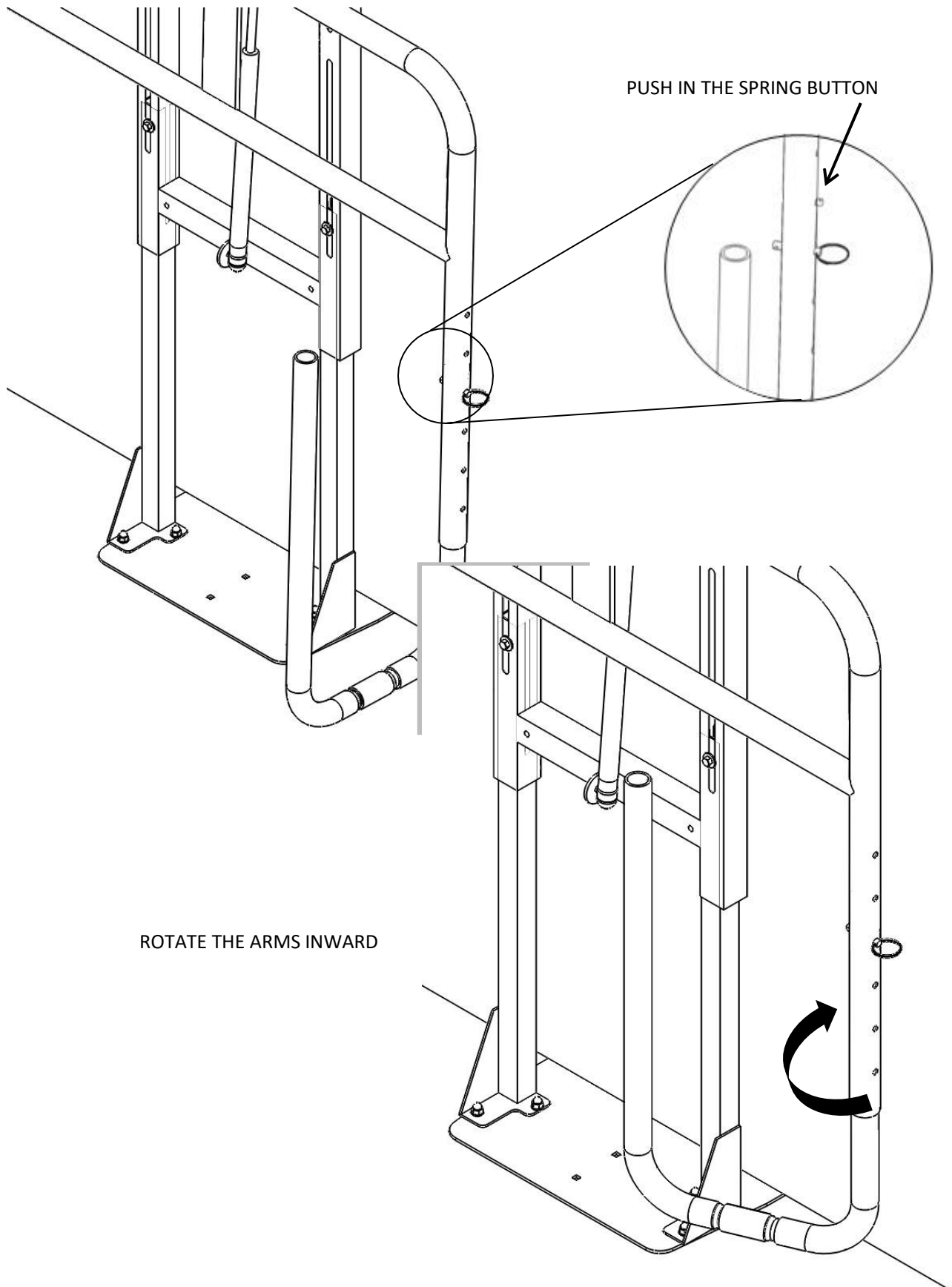
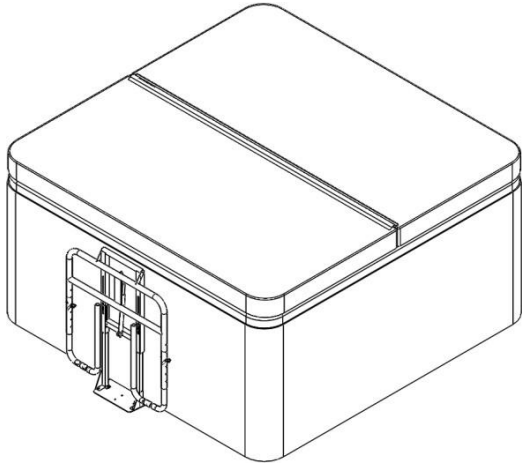
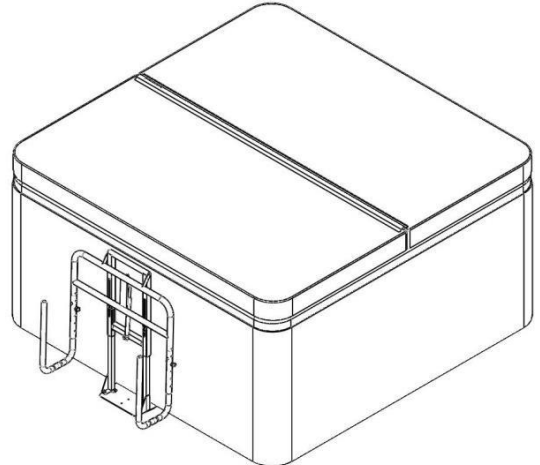


Figure 12

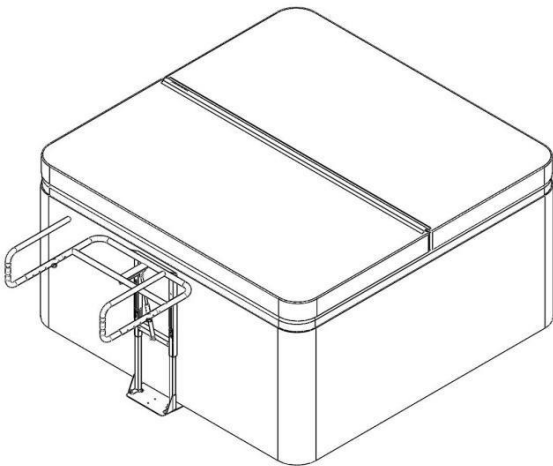
13. To use the Cover Stand II, follow the steps in Fig 13.



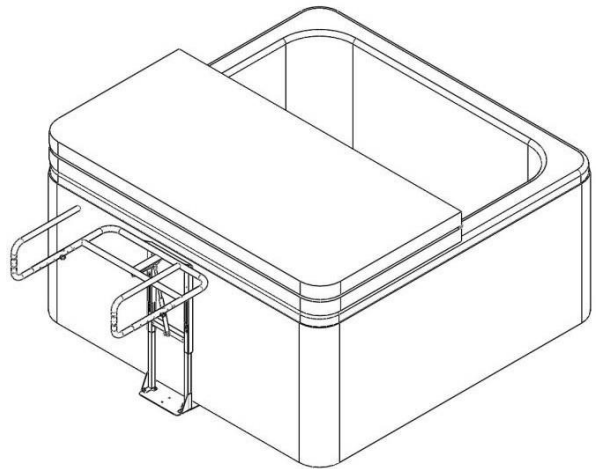
A. Cover on the spa with Cover Stand II stowed.



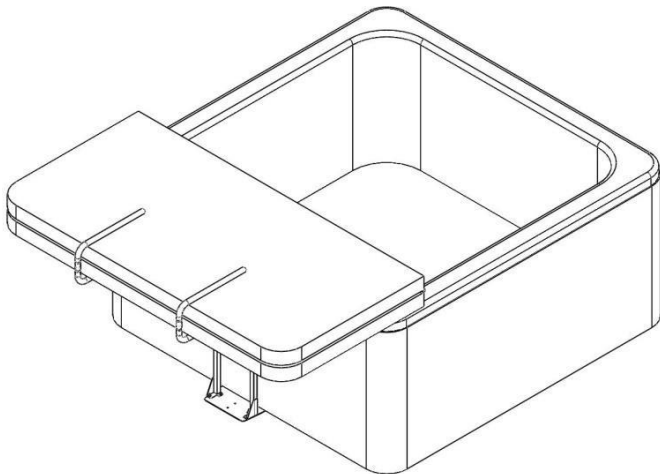
B. Rotate the arms outward and make sure the spring pins lock.



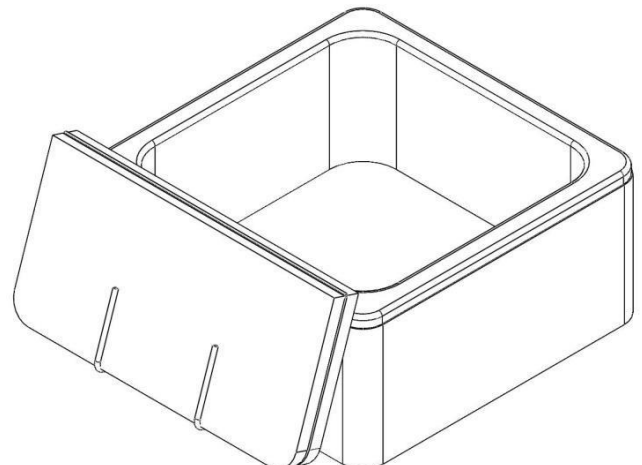
C. Cover Stand II deployed.



D. Fold the cover in half



E. Slide the cover in between the U-Arms.



F. Push the cover downward.

Figure 13



**SP INTERNATIONAL INC.
Cover Stand II 1-Year Limited Warranty**

Any Cover Stand II shown to be unserviceable due to defects in materials or workmanship within 1 year from the date of purchase will be repaired or replaced at the option of SP International, without charge materials. (This excludes labor & the cost of freight to and from the manufacturer).

EXCLUSIONS:

- A. This warranty does not cover damage incurred by the use of the Cover Stand II and/or the spa cover, other than in accordance with the printed literature provided by SP International.
- B. Defects in components of any part, which are not part of the Cover Stand II.
- C. Misuse, abuse, negligence, accident, or alterations other than authorized by SP International.
- D. Improper installation, normal fading and minor deterioration caused by exposure to the sun, rain, chemicals or environmental factors.
- E. Use of solvents, abrasive cleaners or brushes, and strong detergents.
- F. Gas shock: 1 year.

Except as expressly provided, there shall be no additional warranty obligation expressed or implied oral or statutory

ADDITIONS:

- A. SP International shall not be liable for consequential damages or incidental expenses resulting from any breach of the before mentioned warranties.
- B. This warranty gives you specific legal rights and you may have other rights which can vary in different states and countries.
- C. Any dispute between the Buyer and SP International pertaining to this warranty may be resolved in the province of Quebec, Canada, in according to the law in that province.
- D. Should any one or more of the terms, provisions, covenants, or conditions of this warranty be determined void, invalid, illegal, or unlawful in any respect, then it shall be so, however it will not affect any of the other terms or provisions of this warranty and the remainder hereof shall still be in effect.

COVER STAND II WARRANTY REGISTRATION FORM

No need to pre-register, however you must keep your purchase invoice and submit it with any claims.

For more information, Please contact us at:

**SP International inc.
890 Jean-Neveu
Longueuil, Quebec
J4G 2M1
1-866-670-4664
www.spinternational.ca
ventes@spinternational.ca**