

Fisher Lap™

Technical Information Pack



*Images may show optional extras



FSTP280725GEN3

Available at *Spa* WORLD

Interactive tech sheet

This interactive tech sheet contains clickable links and QR codes that provide instant access to specific information related to Fisher™ Spas or Swim Spas.

Click or scan these QR codes to explore detailed features, maintenance tips, and expert advice tailored for your spa.

When you see these icons, you can click or scan:

Click on QR code



Scan QR code



We hope you find the information helpful. Please get in touch if you have any questions about any Fisher™ Spas product. We are here to help!

From the Fisher™ Spas Team.



This is living



Fisher Lap™



JETS

36



SEATING

5



DIMENSIONS 5.87 x 2.29 x 1.49m



SPECIFICATIONS

Dry weight *	1,414 kg
Water capacity	9,792 litres
Filled weight*	11,265 kg
SmartFlo™ jet pump(s)	3 x 2.5 hp
SmartFlo™ circulation pump	1
Electrical requirements	32 amp

* Does not include optional upgrade ClearLift™ cover weight. See the specifications table page for this info.

FEATURES

- FisherFrame™ galvanised steel frame
- DuraClad™ long life cabinet
- QuadCore™ shell construction
- FisherBase™ Hi Impact Base.
- HeatSeal™ shell insulation
- HeatSeal™ perimeter insulation
- UV automatic water steriliser
- Ozone automatic water clarifier
- SpaNet™ SV3 Controller
- FisherFlex™ plumbing system
- SoftTouch™ head rest
- Stainless steel jets
- Wide mouth filtration
- FisherGlow™ in-spa illumination
- FisherGlow™ LED perimeter lighting
- Integrated heat pump control

OPTIONAL UPGRADES

- SpaNet™ hybrid pump
- SpaNet™ SmartLink™ WiFi/Bluetooth control
- Fisher™ Audio & WiFi system
- Fisher Spas™ swim pole kit
- ClearLift™ automatic cover

WARRANTIES

FisherFrame™	Lifetime
Non-Pro-rata Structural	10yrs
Non-Pro-rata Acrylic Surface	5yrs
Plumbing, Heater & Jets	5yrs
Pumps & Equipment	2yrs

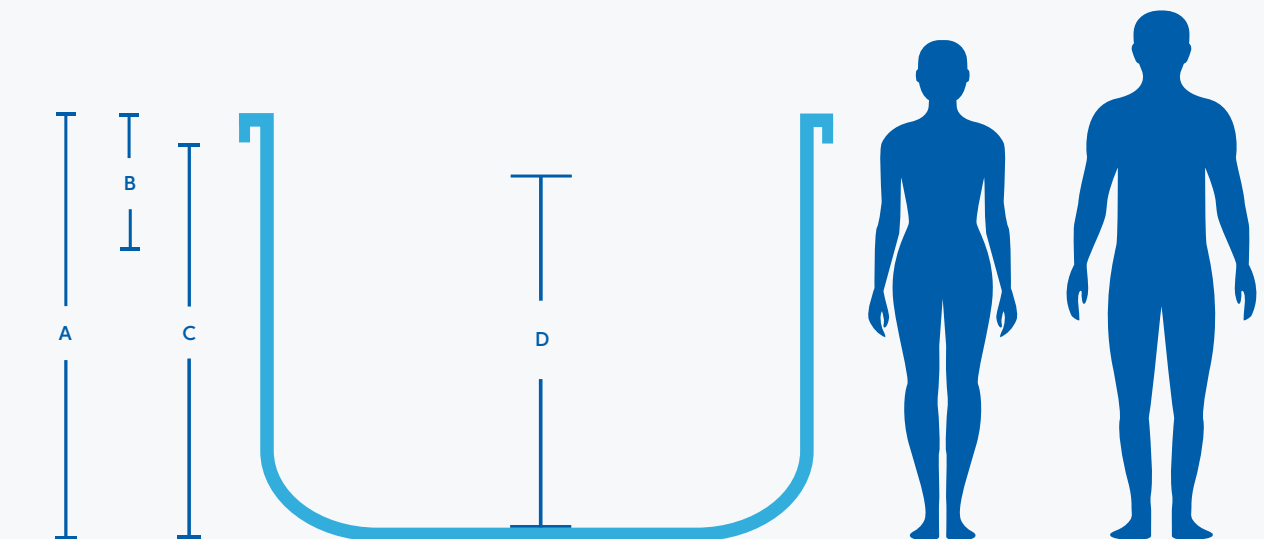
** Conditions apply. Specifications may change without notice. May be pictured with some options included.



This is living!



**FISHER
SPAS**

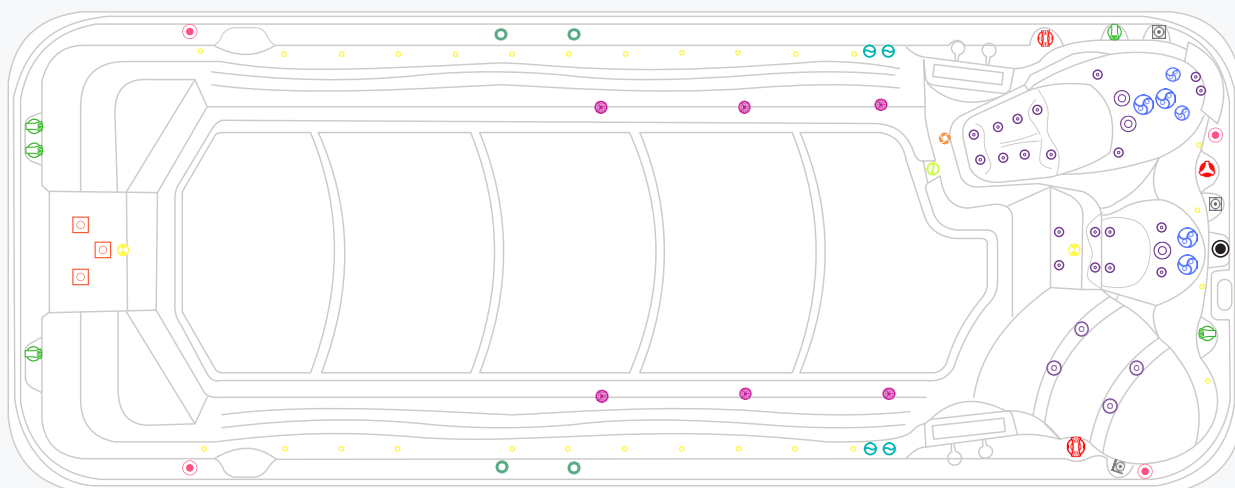


		Fisher Lap™
Spa dimensions		5.87(L) x 2.29(W)m
A	Total height +/-20mm	1.49m
B	Recommended minimum deck height from top of shell	400mm
C	Height from base to underside of lip (+/-20mm)	1,395mm
D	Water depth from floor to recommended fill level	1,280mm

Specification	No ClearLift™ models	ClearLift™ models
Water capacity	9,792L	9,792L
Dry weight	1,414kg	1,555kg
Filled weight (incl cover)	11,265kg	11,401kg
Lift weight**	1,788kg	1,924kg
Intuitive spa controller	SV3	SV3
Programmable circulation pump	1	1
Jet pumps	3	3
Variable output heater	5.25kW	5.25kW
Recommended electrical supply	32Amps	32Amps

* Conditions apply. Specifications may change without notice. Pictures may show options not available on all models.

** The specified lift weights in the table above include the spa's dry weight, packaging, hard cover and water, but not the pallet weight. These are approximate weights and are intended as a guide only. All weights must be verified by the crane operator before lifting. (Cranes are capable of checking weight.)



5 x Air Controls



1 x Waterfall Valve



2 x Diverter Valve



4 x 88mm Directional Jets



2 x 88mm Roto Jets



20 x 50mm Directional Jets



8 x Filtration Safety Vents



3 x 127mm Directional Jets



1 x Ozone Jet



4 x Cup Holders



2 x Lights



1 x Drain



1 x Swim Pole Receiver



28 x Perimeter Lights



3 x Speakers



3 x Swim Jets



4 x 127mm Roto Jets



4 x Laminar Jets



6 x Suction

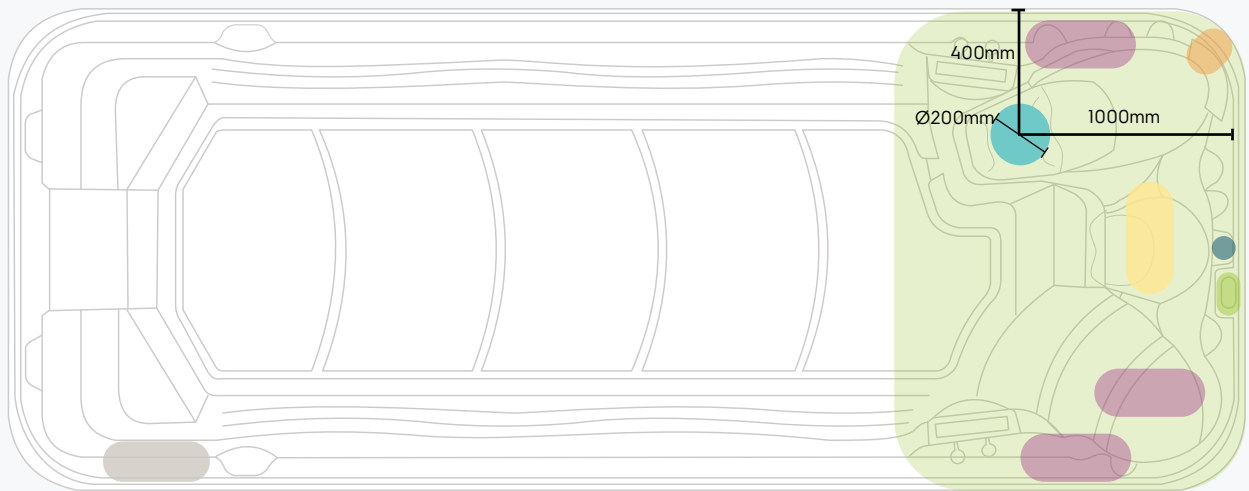
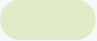

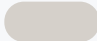
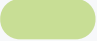



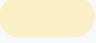


Illustration shows Fisher Lap™ spa pool model

 Equipment Bay	 Drain Valve	 Subwoofer**
 Keypad	 Boost Pump	 Swim pole socket
 Conduit Access	 Circulation Pump	

* Conduit access should be no more than 100mm high above the concrete slab.

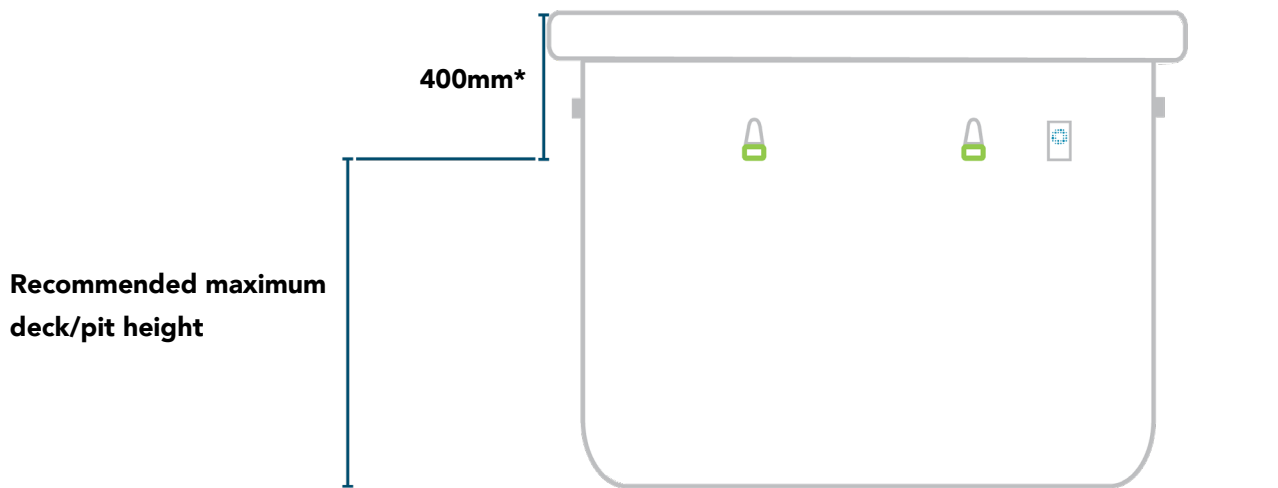
** Optional upgrade only included with the Fisher™ Audio & WiFi Kit.

Note: This model has a rigid base, and if you choose to bring the piping conduit in from the bottom through the base, you will need to cut a hole into the base on-site before installation. The factory does not provide this hole. Please see the diagram above to find the location where you can drill the hole.

Follow this step-by-step guide to ensure your swim spa remains fully accessible for servicing and upgrades, without compromising your deck/pit design.

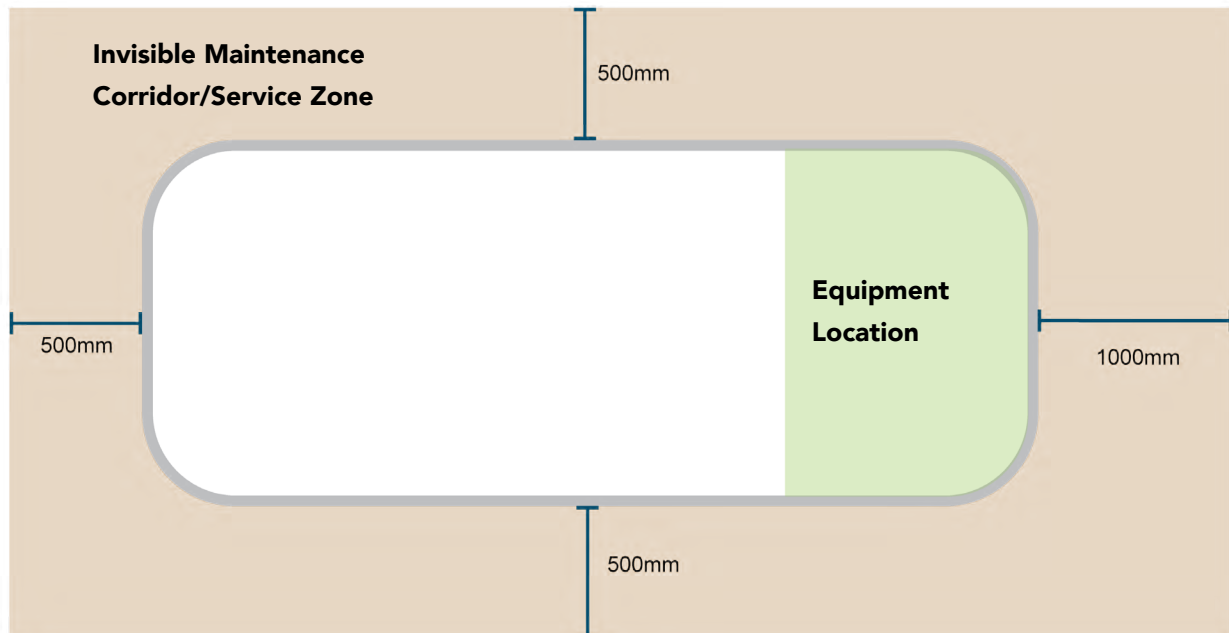
1. Leave space between the decking and the lip of the swim spa.

- Do not run deck boards flush with the underside of the spa shell. This setup is unsafe and not recommended.
- Set the swim spa at least 400mm above deck height (to the top of the spa): Ensures safe and easy entry/exit. Allows cover safety clips to attach securely to the spa cabinet.
- Avoid finishing the swim spa lip level with the deck: Swim spa shells are hand-trimmed, so an exact level finish is unreliable. Misalignment is likely, especially over time.
- Risk of structural damage: If foundations settle and the spa shell rests on the deck, it can cause cracking or damage. **This type of damage is not covered by warranty.**



* All the dimensions are ± 20 mm.

* The deck/pit installation instructions does not apply to Swim Spas with ClearLift™ cover. For more information about ClearLift™ opening allowance check the ClearLift™ section on this tech pack.



2. Visualise the Invisible Maintenance Corridor

Think of your swim spa as sitting inside an invisible service zone that technicians need to work freely.

- Leave 1000 mm (1 metre) clearance on the Equipment bay side.
- Leave 500 mm clearance on all other sides, measured from the spa cabinet—not the water edge or frame.

Tip: The invisible maintenance corridor zone must remain free of posts, joists, steps, balustrades, fencing or other obstructions.

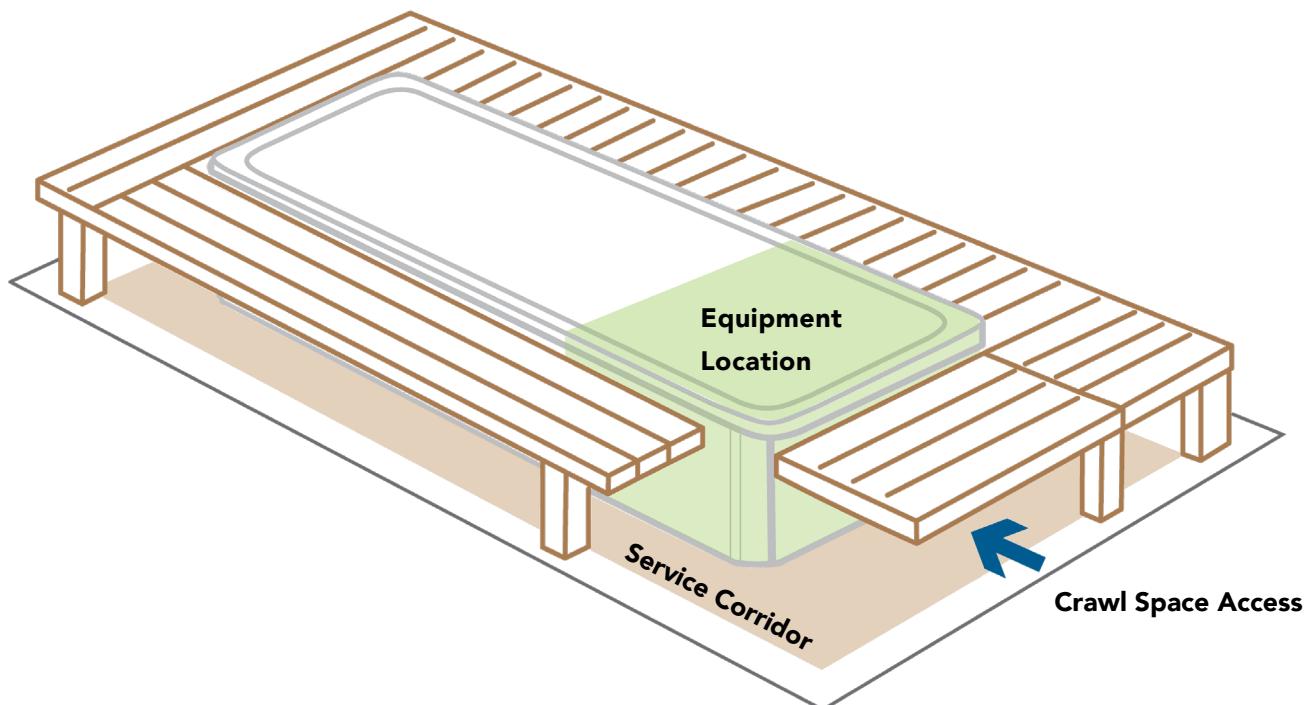
* The deck/pit installation instructions does not apply to Swim Spas with ClearLift™ cover. For more information about ClearLift™ opening allowance check the ClearLift™ section on this tech pack.

3. Design Around the Swim Spa - Not Over It

Set back deck framing: Position beams outside the service corridor.

- Cantilever your joists to bridge the 500 mm or 1000 mm gap.
- Frame removable hatch panels into the decking that sits over the service zones. These hatches allow future access to pumps, plumbing, and equipment without pulling up your deck or dismantling timber.

Side Angle View Deck Cut-Out Service Corridor and Crawl Space Access



4. Add Drop-in Lids or Crawl Space Access

Underneath any decking above a service zone:

- Provide drop-in lids or crawl space access. This lets technicians get to every panel on every side of the spa, even those not facing outward.

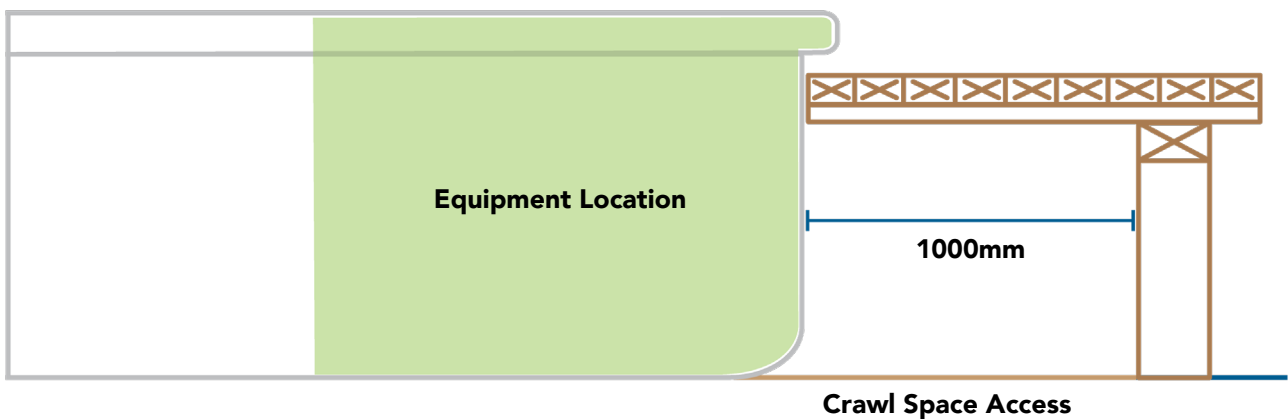
Long-term servicing, warranty work, and equipment upgrades all depend on this kind of access!

* The deck/pit installation instructions does not apply to Swim Spas with ClearLift™ cover. For more information about ClearLift™ opening allowance check the ClearLift™ section on this tech pack.

Front View Deck Cut-out Service Corridor



Side View Deck Cut-out Crawl Space Access



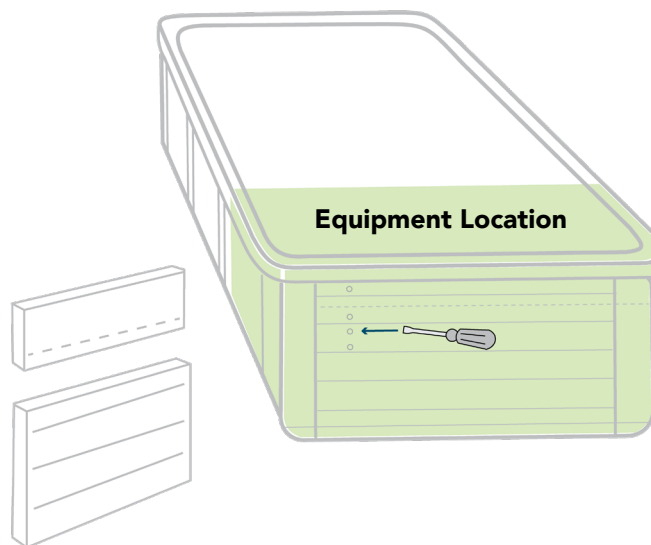
* The deck/pit installation instructions does not apply to Swim Spas with ClearLift™ cover. For more information about ClearLift™ opening allowance check the ClearLift™ section on this tech pack.

5. Prepare Swim Spa Cabinet Panels Before Decking/Pit (optional)

Before any boards go down:

- Mark a horizontal line just below your planned future deck height on each spa cabinet panel.
- Unscrew and remove the entire panel.
- Cut it in two parts:
 - The upper section will lift out from above the deck.
 - The lower section will slide out through the gap beneath.

Pre-cutting ensures panels can be removed without cutting into the spa's frame, insulation, wiring or plumbing.



6. Reinstall the Cabinet Panels - Now Split for Access

- Once cut: Reinstall the lower section below deck height.
- Store or safely keep the upper section to reattach once the deck is in place.

This prep means panels can be accessed from above or below the deck—without compromising spa structure or warranty.

* The deck/pit installation instructions does not apply to Swim Spas with ClearLift™ cover. For more information about ClearLift™ opening allowance check the ClearLift™ section on this tech pack.

7. Double-Check Before Final Decking

Before securing your final boards confirm all clearances:

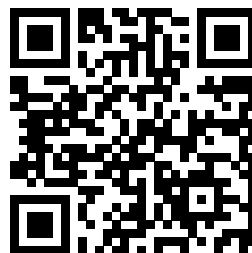
- 1000 mm on the equipment side
- 500 mm on all other sides
- Confirm hatch panels and access points align with service zones.
- Confirm cabinet panels are divided and re-installable.

You're Set Up for Success

By following this method, you'll:

- Protect your spa's warranty
- Avoid costly rework later
- Make future servicing simple
- Keep your decking clean and elegant with hidden hatches and clever framing.

To find out more information, tips and recommendations about deck/pit installation around your swim spa click or scan the QR code below:



* The deck/pit installation instructions does not apply to Swim Spas with ClearLift™ cover. For more information about ClearLift™ opening allowance check the ClearLift™ section on this tech pack.

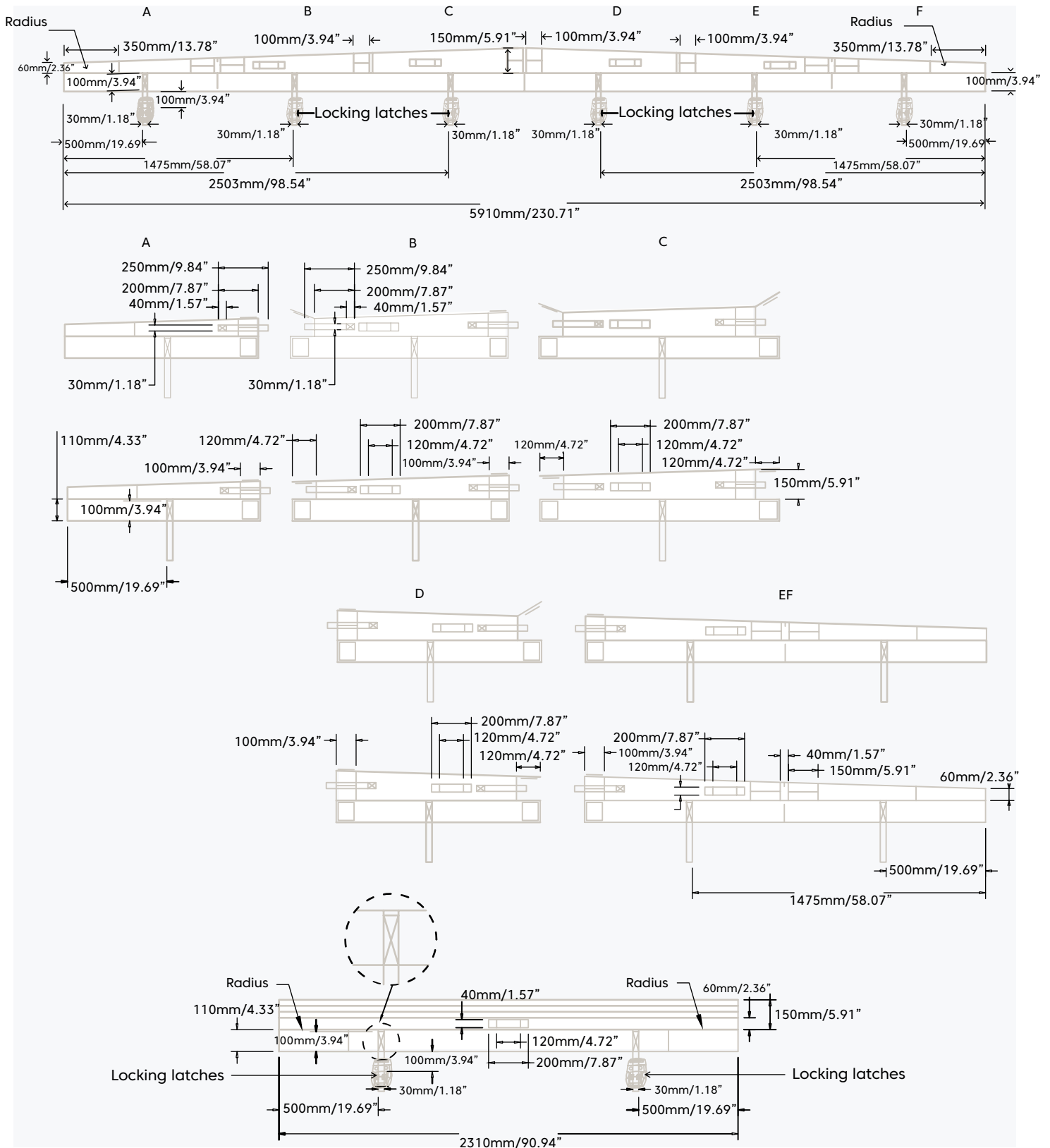


This is living!



Fisher Lap™

Standard Spa Cover



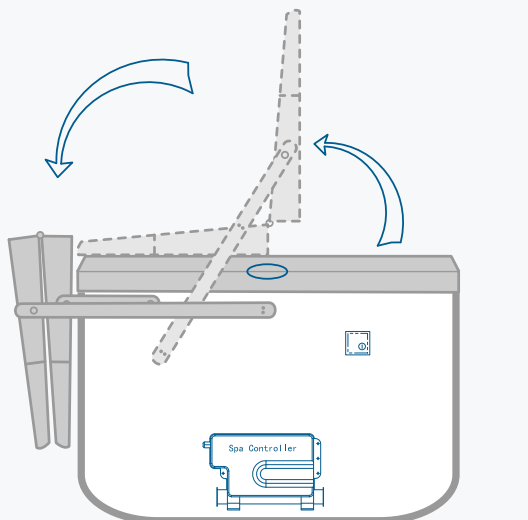
This is living!



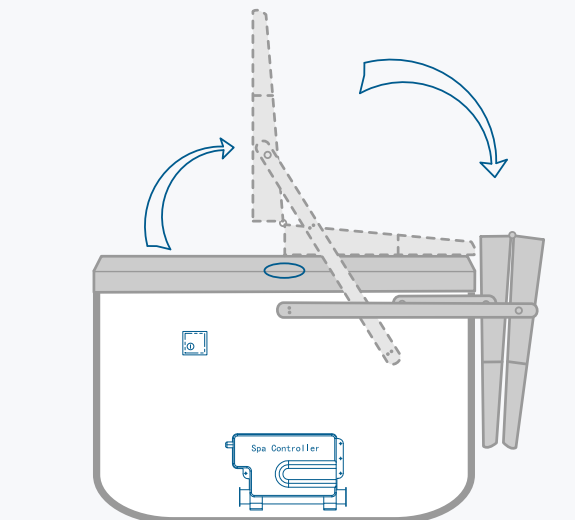
Fisher Lap™

Optional Upgrade ClearLift™ Cover

Left-mounted opening

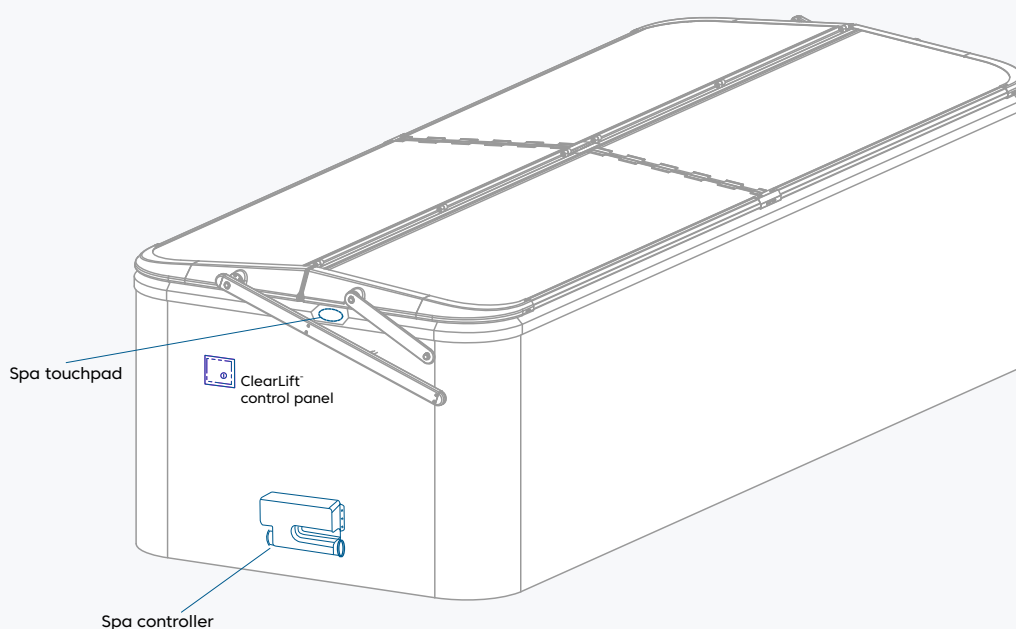


Right-mounted opening



If the ClearLift™ control panel is positioned on the right side of the swim spa, and the ClearLift™ cover folds to the left, it is considered a Left-Mounted ClearLift™.

Conversely, if the ClearLift™ control panel is located on the left side of the swim spa, and the ClearLift™ cover folds to the right, it is referred to as a Right-Mounted ClearLift™



*The illustration shows Right-mounted opening, side angle view.

Note: The ClearLift™ control panel is installed at the same end as the swim spa controller keypad.



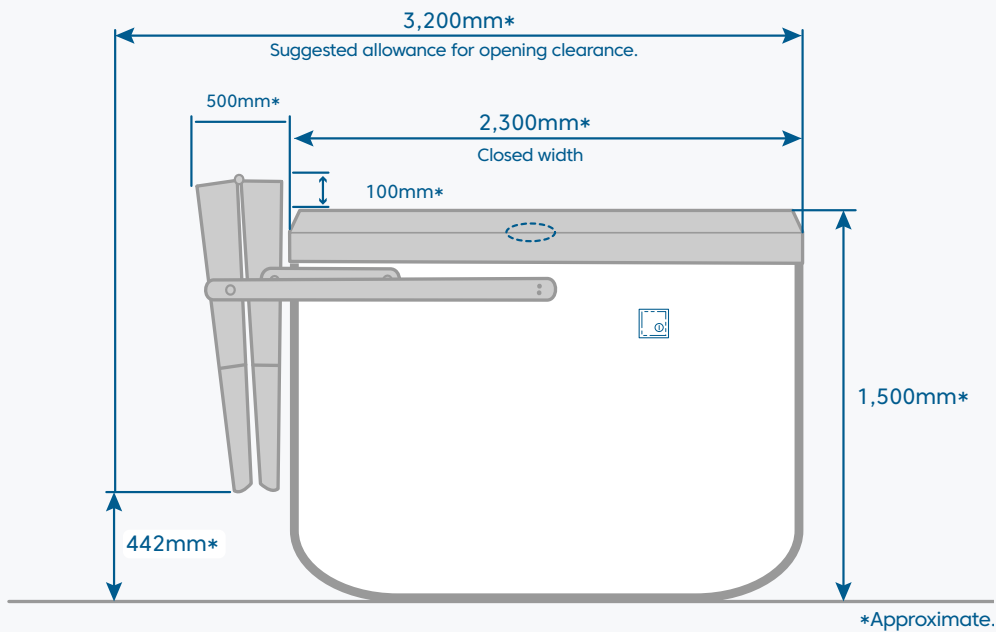
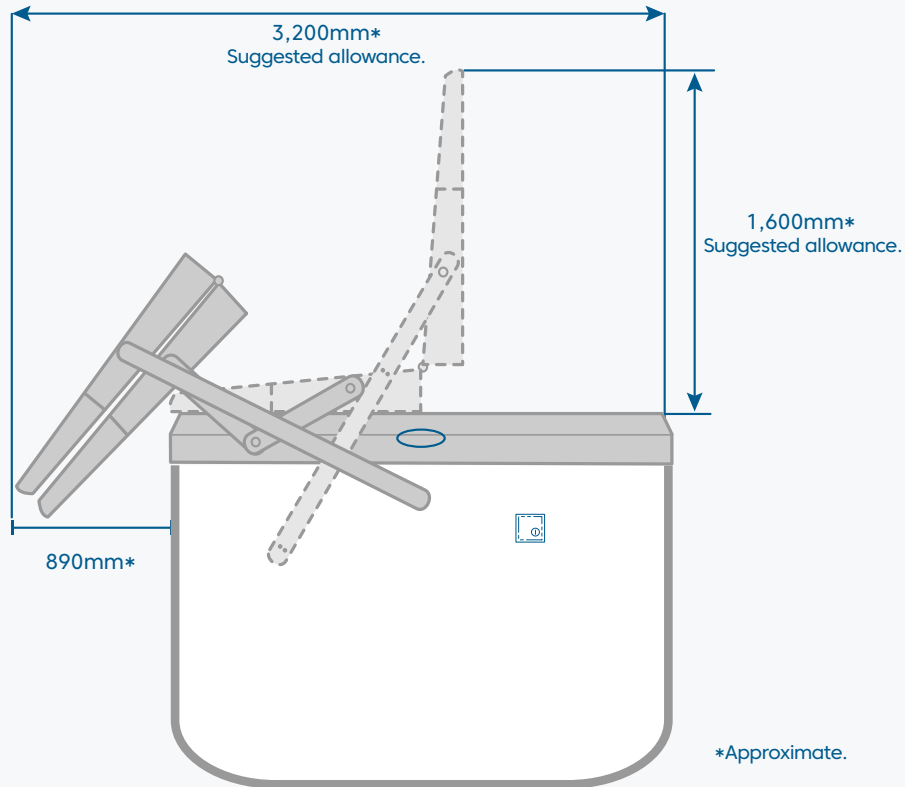
This is living!



Fisher Lap™

Optional ClearLift™ Cover Opening allowance

Left mount, side view shown in Fisher™ swim spas 1,500mm height.



This is living!



To access the ClearLift™ Installation Manual, please click or scan the QR code bellow.

Click on QR code



Scan QR code



**ClearLift™ Cover
Installation Manual**



What to know when planning for delivery and installation. Please visit the Spa World website for planning information including:

- Property access
- Electrical information
- Service access
- Foundations, including generic slab
- Pit and deck installation
- Optional heat pump installation,

To access this information and more:

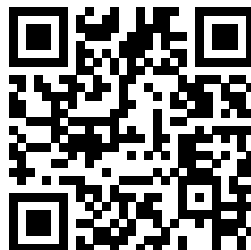
Click on QR code



Scan QR code



Planning for your spa delivery
Pre-Delivery Guide for Spa Owners 2024



To access the Fisher™ Swim Spas Generic Concrete Slab Certificate/ Plumbing Certificate/ Structural Certificate, please click or scan the QR code bellow.

Click on QR code



**Fisher™ Swim Spas
Generic Concrete Slab
Certificate**



Scan QR code



**Fisher Lap™
Plumbing Certificate**



**Fisher Lap™
Structural Certificate**

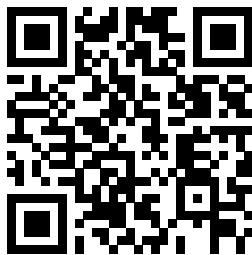


To access the Fisher™ Spas Owner's Manual / Audio WiFi Kit Manual/ SpaNet™ SV Series Heat Pump Installation and Instruction Manual/ Fisher™ Spas Warranty, please click or scan the QR codes bellow.

Click on QR code



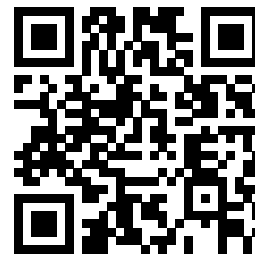
Fisher™ Spas
Owner's Manual



Scan QR code



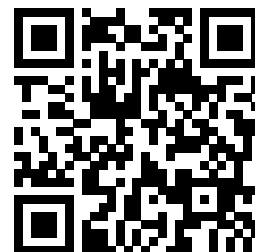
Fisher™ Spas
Audio WiFi kit



SpaNet™ SV Series Heat
Pump Installation and
Instruction Manual



Fisher™ Spas
Warranty





**FISHER™
SPAS**

Available at *Spa* WORLD